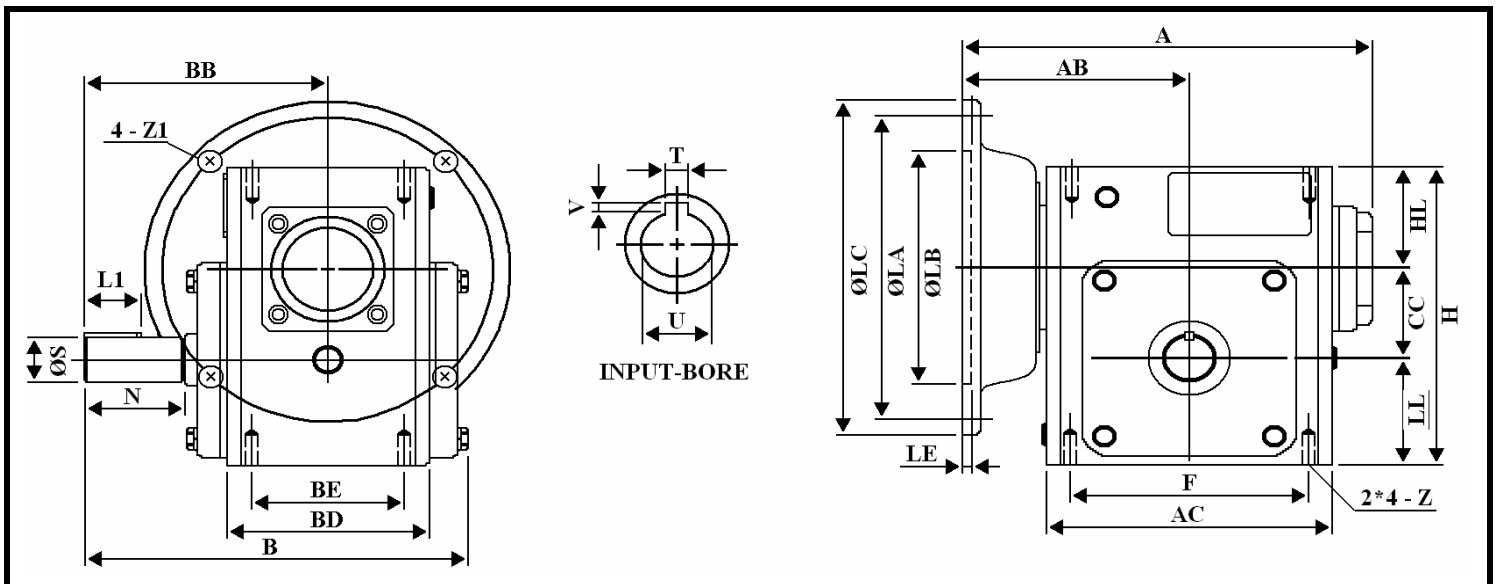
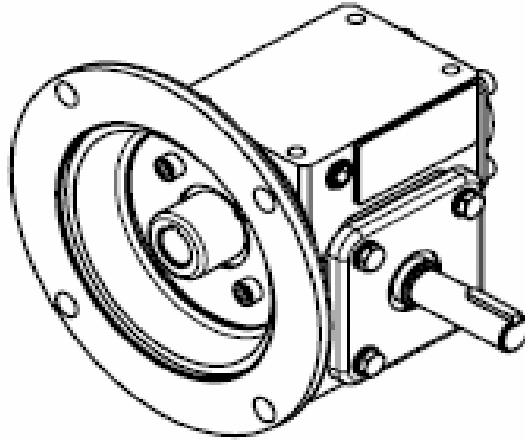


**WORLDWIDE ELECTRIC CORPORATION**  
**HdR SERIES PROGRAM - WORM GEAR SPEED REDUCERS**  
**FLANGE INPUT - SHAFT OUTPUT - DIMENSIONS**

**MODEL # HdRF262-\*-R-182TC**



**RIGHT HAND OUTPUT - DIMENSIONS - Inches**

| Size | A     | AB   | AC    | B     | BB   | BD    | BE    | CC    | F     | H | HL    | LL    | N     | Z          |
|------|-------|------|-------|-------|------|-------|-------|-------|-------|---|-------|-------|-------|------------|
| 262  | 10.57 | 6.24 | 7.165 | 8.872 | 5.63 | 4.685 | 3.375 | 2.625 | 6.375 | 8 | 2.437 | 2.938 | 2.626 | 3/8-16 UNC |

| Size | INPUT BORE |           | OUTPUT SHAFT |       |           | FLANGE |      |    |       |       | NEMA FRAME | OIL (OZ.) |
|------|------------|-----------|--------------|-------|-----------|--------|------|----|-------|-------|------------|-----------|
|      | U          | T*V       | L1           | S     | W*Y       | LA     | LB   | LC | LE    | Z1    |            |           |
| 262  | 1.125      | 1/4 * 1/8 | 2            | 1.125 | 1/4 * 1/8 | 8.5    | 7.25 | 9  | 0.197 | 0.551 | 182TC      | 34.55     |

\* Suitable For Any Ratio

